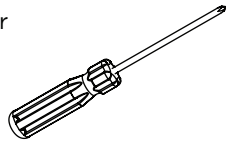


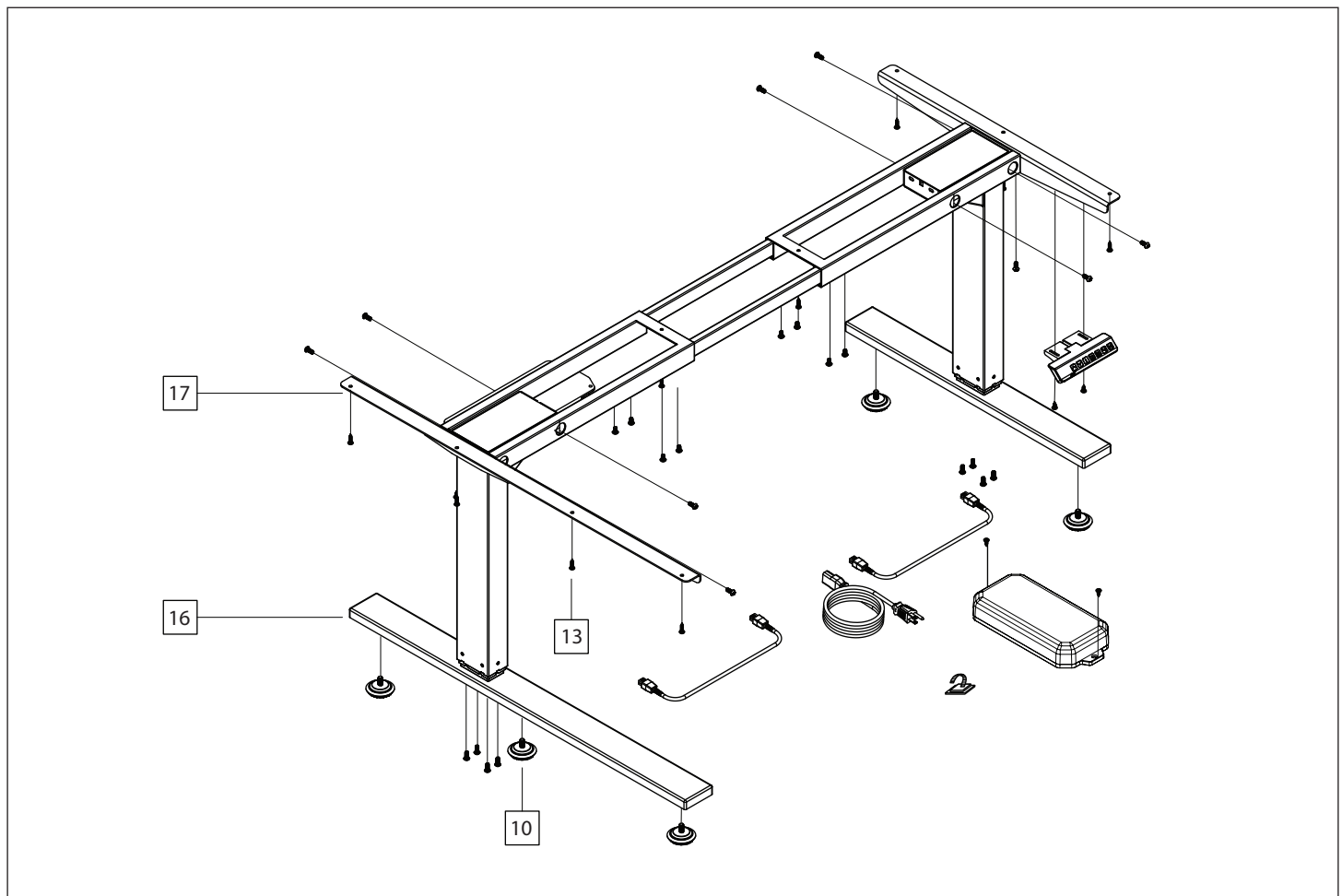
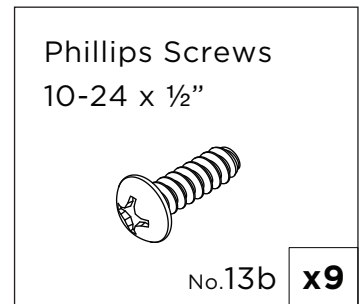
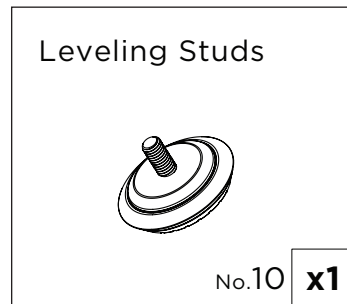
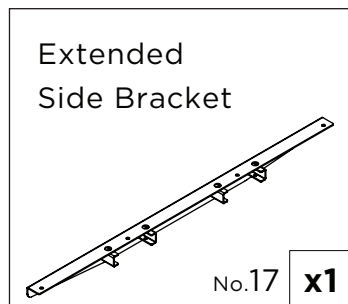
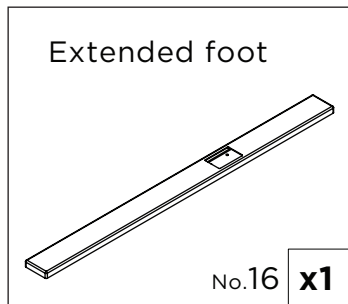
The Studio L upgrade replaces two components on the standard Evodesk to accommodate the larger desktop. An extended side bracket and extended foot are included in the Studio L box. There will be an extra standard foot and standard side bracket, should you decide to change desktops.

## TOOLS REQUIRED

Phillips Head Screwdriver  
and/or Power Drill

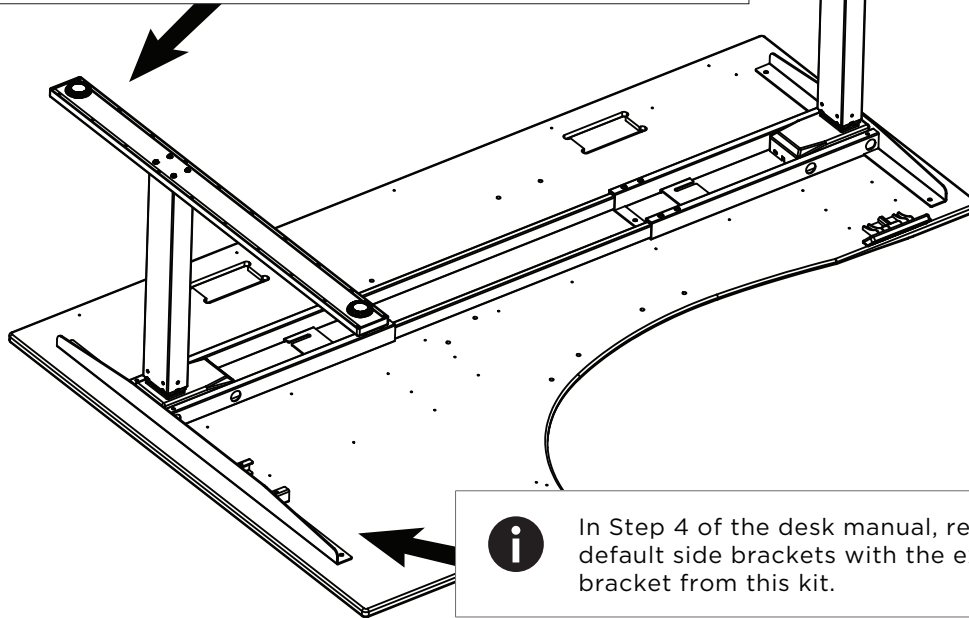


## Additional Components Included





In Step 6 of the desk manual, replace the default foot with the included extended foot and match to the same side as shown.



In Step 4 of the desk manual, replace one of the default side brackets with the extended side bracket from this kit.



In Step 9 of the desk manual, use 7 10-24 x 1/2" (#13-b) Phillips Screws to connect the frame to the desktop.

