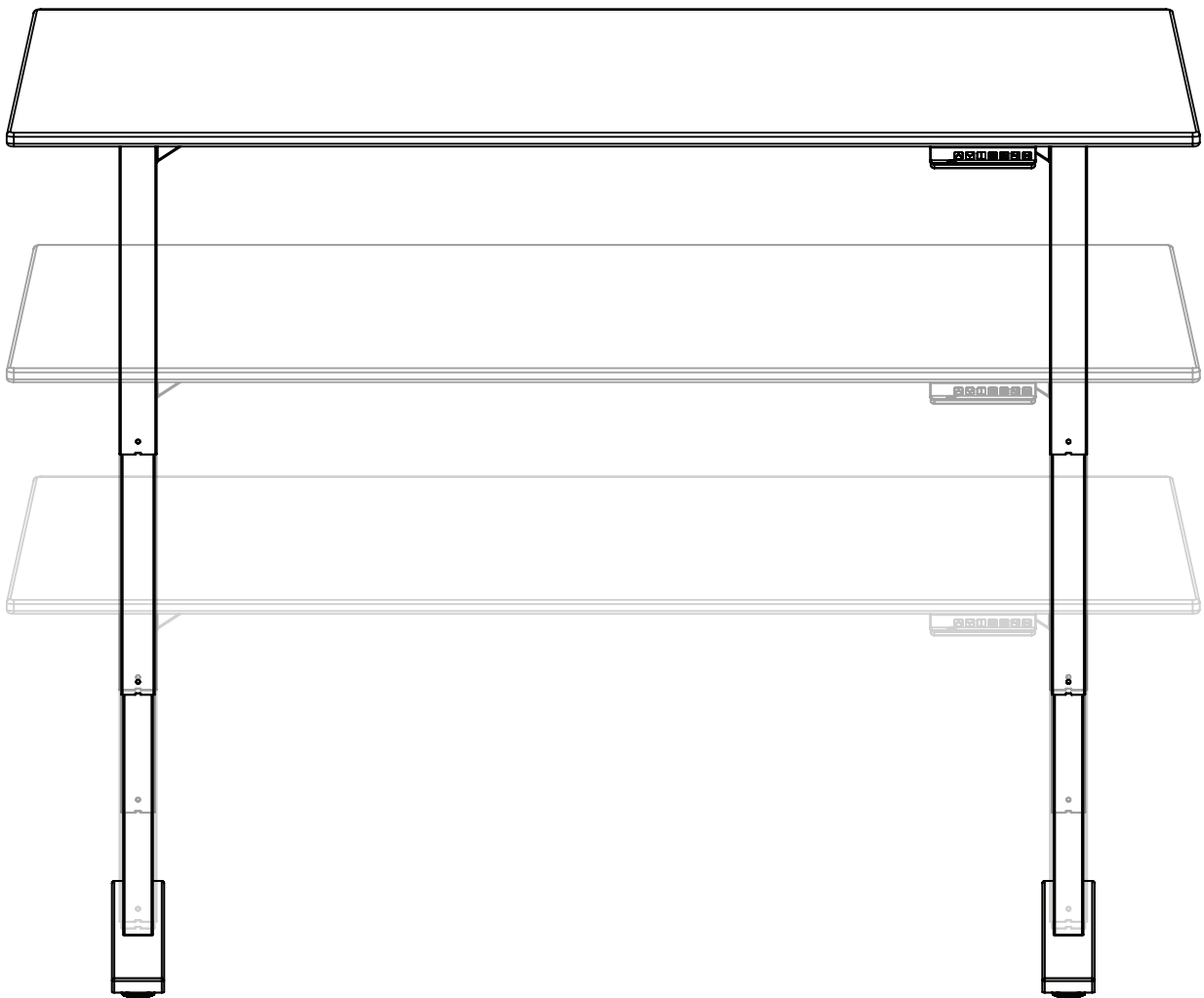


evodesk™

POWER ADJUSTABLE DESK



ASSEMBLY & OPERATION MANUAL

PREFACE

Thank you for choosing Evodesk!

We appreciate the trust and confidence you have placed in our company. We are committed to providing you the best possible value in power adjustable desks. We are sure that your Evodesk will provide you many years of enjoyment and health.

-Evodesk Team

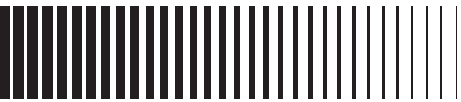
TABLE OF CONTENTS



Caution, Use & Liability.....	Page 1
Parts & Components.....	Page 2
Components Diagram	Page 3
Assembly Instructions	Page 4
Troubleshooting	Page 7
Technical Specifications.....	Page 8
Warranty.....	Page 9



CAUTION



Make sure no obstacles are in the desk's path. Make sure the desktop is not touching any walls. Make sure all cords are appropriate length to accommodate the change in height.



WARNING! PINCH POINT

Keep hands and fingers clear



Keep children away from electric height-adjustable desks, control units and handsets. There is a risk of injury and electric shock.



Keep all electrical components away from liquids.



Do not sit or stand on the desk frame.
Do not crawl or lie under the desk frame.



Do not place any objects taller than 20" underneath the desk.



Do not open any of the components - the Legs, Control Box, or Controller. There is a risk of electric shock.

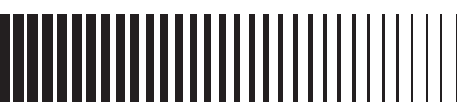


The product is designed with a duty cycle of 10%
(2 min. on, 18 min. off).



In the event of a power outage or if the power cord is unplugged, a manual reset may be necessary - see step 13.

USE & LIABILITY



This height adjustable desk has electric motors and is designed for use in dry work areas only. The desk height is adjustable so that it can be positioned at the most ergonomically suitable height. Any other use is at user's risk. Under no circumstances does the manufacturer accept warranty claims or liability claims for damages caused from improper use or handling of the desk frame.

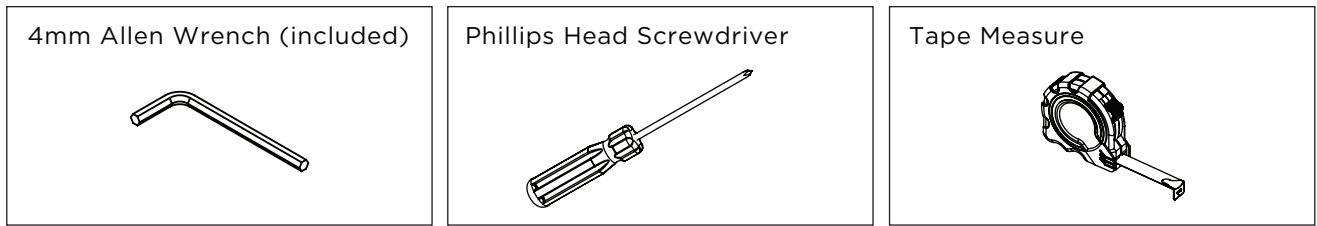
IMPORTANT:

Please read this manual carefully.

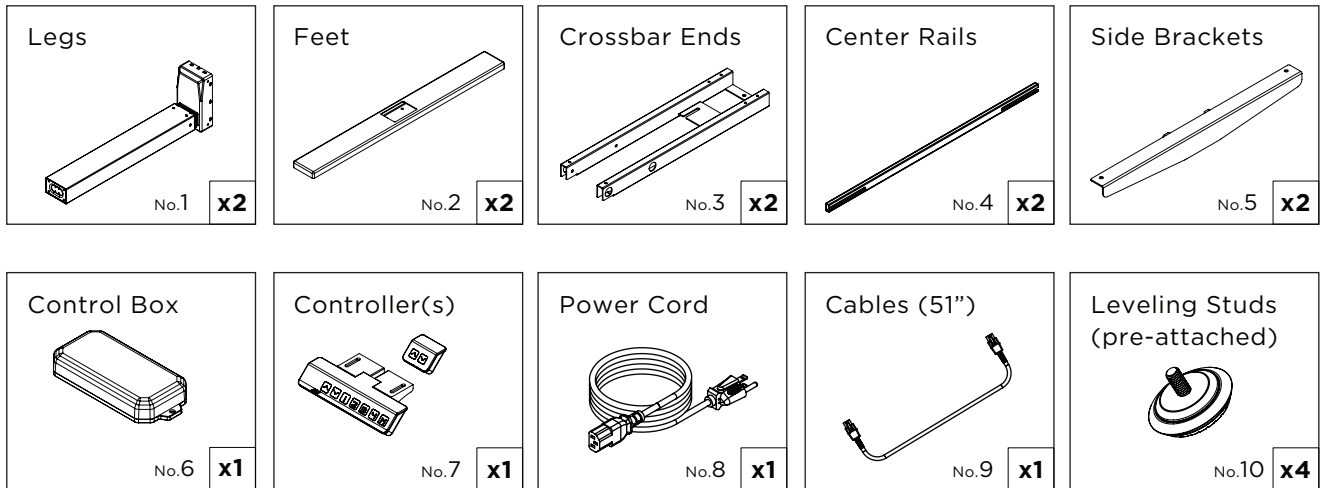
If this desk is sold, please provide this manual to the buyer.

PARTS & COMPONENTS

TOOLS REQUIRED



COMPONENTS INCLUDED



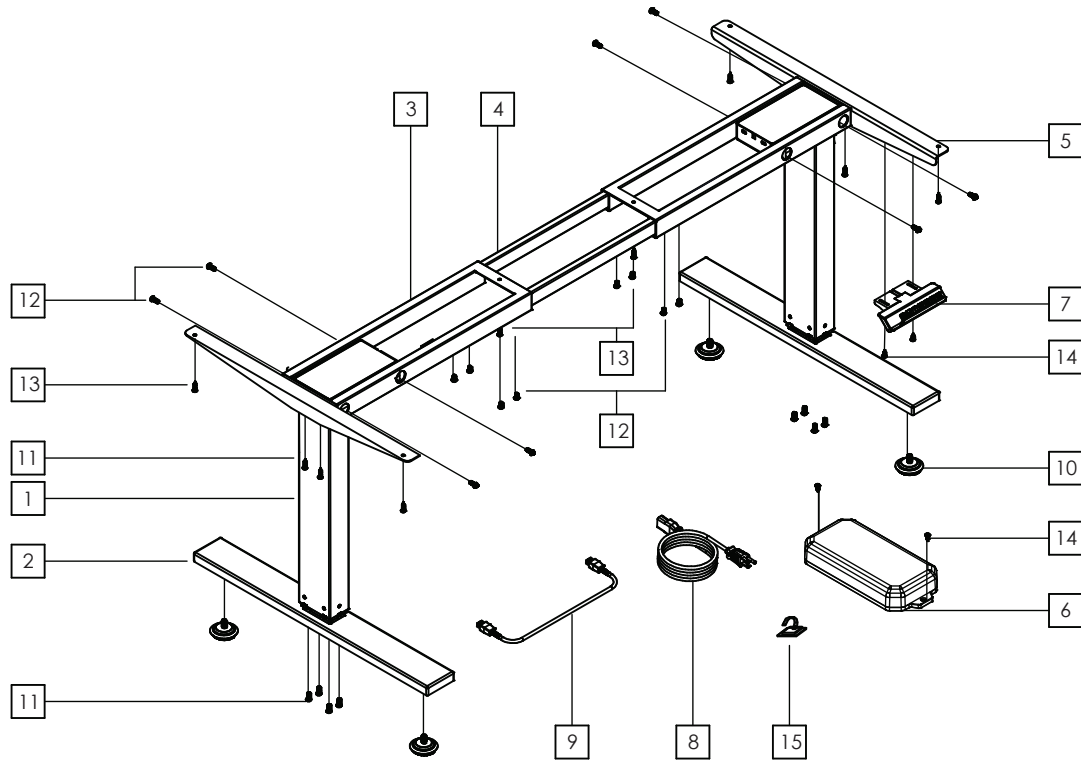
HARDWARE INCLUDED FOR EVOLUTION™ FRAME SYSTEM



HARDWARE INCLUDED IN BOX WITH EVODESK DESKTOPS



COMPONENTS DIAGRAM



No.	Description	Qty
1	Legs	2
2	Feet	2
3	Crossbar Ends	2
4	Center Rails	2
5	Side Brackets	2
6	Control Box	1
7	Controller	1
8	Power Cord	1
9	Cables	1
10	Leveling Studs (pre-installed)	4
11	Machine Screws: M6x14	12
12	Machine Screws: M6x10	16
13	Phillips Screws:10-24 x 1/2" (Shipped separately in box with Evodesk desktop if purchased)	8
14	Wood Screws: ST M5x16	2
15	Cable Clips	10

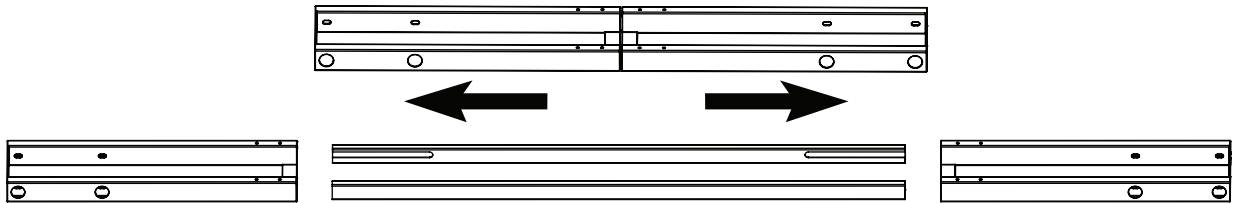
ASSEMBLY INSTRUCTIONS



BEFORE YOU BEGIN Lay out all components and hardware to ensure that you have all the parts listed on the parts page.

STEP 1

Fully separate the Crossbar Ends (#3).
You will find the Crossbar Center Rails (#4) inside.

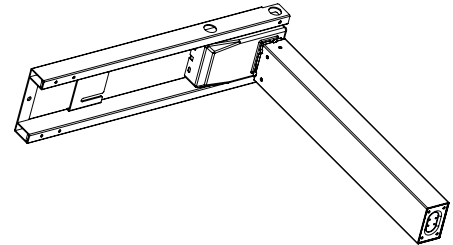


STEP 2

Position one of the Crossbar Ends (#3) on its side.

Place one of the Legs (#1) into the Crossbar End (#3) ensuring that the bar (arrow) is on "top" in relation to the leg (#1).

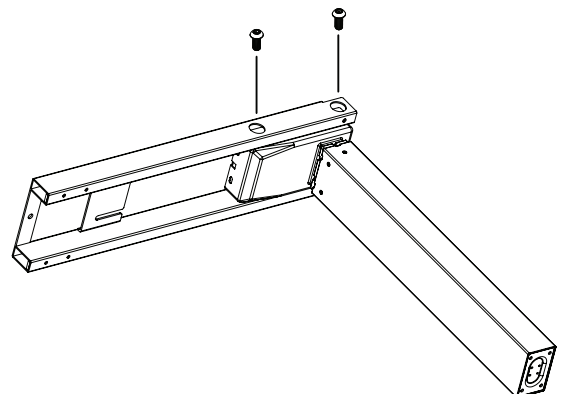
Line up the holes on each Leg (#1) with the holes on each Crossbar End (#3)



STEP 3

Using the supplied Allen Wrench, insert four (4) M6x10 Machine Screws (#12) through the holes in each Crossbar End (#3) going into the Leg (#1).

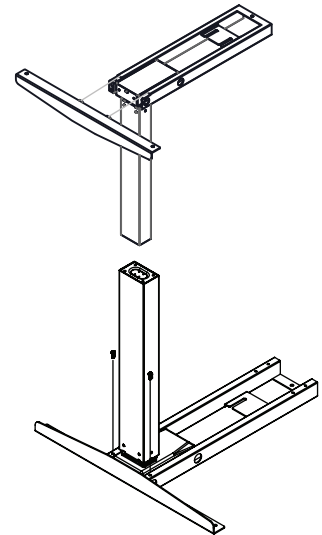
You will need to flip the assembly over to gain access to all four (4) M6x10 Machine Screws (#12).



STEP 4

Prop up one of the assemblies from **Step 3**, as shown. Insert the tabs of the Side Bracket into the Crossbar Ends as shown. Once inserted, use the two M6-14mm Machine Screws to secure in place.

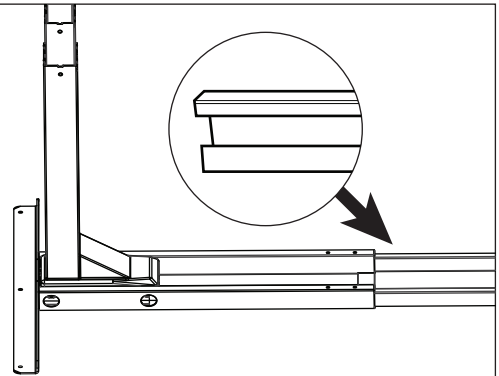
Repeat **Step 3** and **Step 4** with the other assembly.



STEP 5

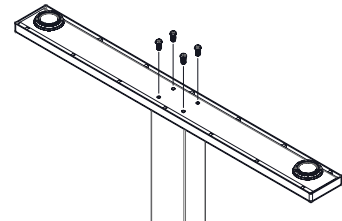
Slide the two (2) Crossbar Center Rails (#4) into the two Crossbar Ends (#3) ensuring

- A) The slots face inward.
- B) The slot is closer to the top edge of the Crossbar Center Rail (#4) when the assembly is upside down (see inset).



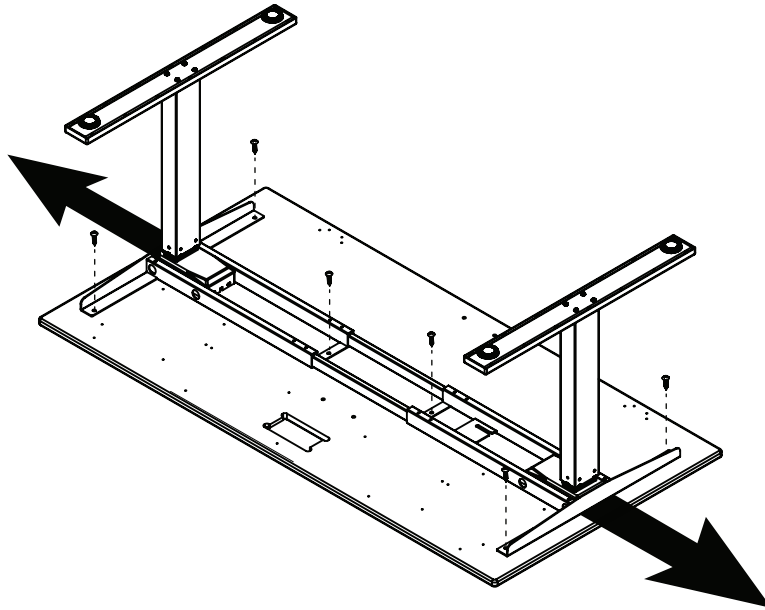
STEP 6

For each assembly, attach a Foot (#2) with four (4) M6x14 Machine Screws (#11) and start all screws before tightening.



IMPORTANT: Evodesk drills each desktop. If using another brand of desktop, your desktop may or may not be pre-drilled. Check both sides of the desktop before placing your desk base on the the desktop.

STEP 7



For Evodesk Desktops:

With the desktop topside-down, place frame on desktop and align the 6 holes in the upper frame to the 6 visible metal inserts on the underside of the desktop.

Use six (6) 10-24-1/2" Phillips screws (#13b) included with the desktop to attach. **Only fully tighten screws after all 6 have been partially screwed in.**



NOTE: Desktop may feature 8 metal inserts and include 8 screws. These extras are not utilized on this particular Evodesk frame.

STEP 8

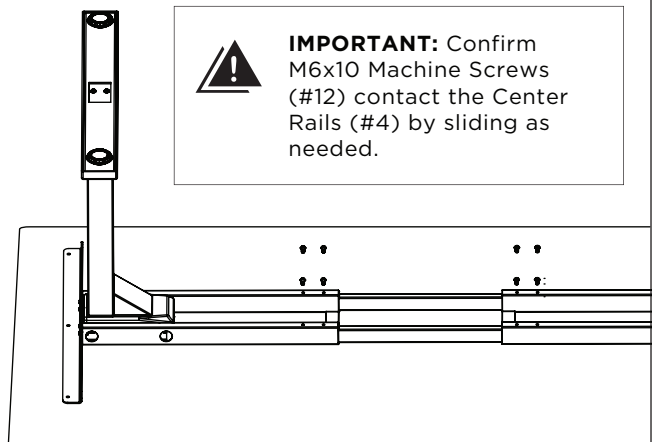
Lock the position of the Crossbar Center Rails (#4) using eight (8) M6x10 Machine Screws (#12). Remember, maximum width is 74".



NOTE: If you have purchased the EvoDesk 48" desktop and keyboard platform, you may omit the screws that secure the center rails.



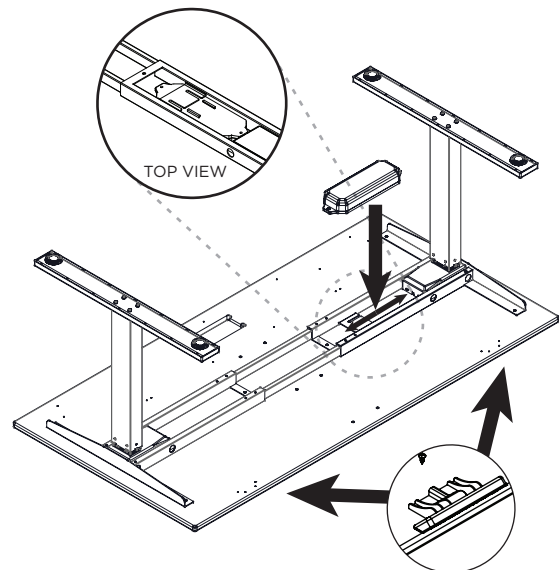
IMPORTANT: Confirm M6x10 Machine Screws (#12) contact the Center Rails (#4) by sliding as needed.



STEP 9

Attach the Control Box (#6) to the frame by sliding it onto the grooved plate in the center of the frame.

Place the Controller (#7) so the front of the Controller is flush with the front desktop edge (or recessed up to 1/8"). The desktop has two pre-drilled locations for the Controller, but may be placed anywhere along the front edge of the desktop if desired.

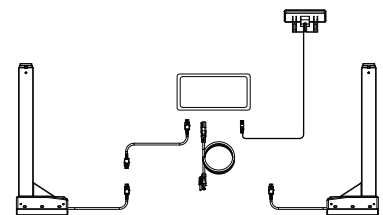


* Control Box can be mounted in two directions, as left and right legs can be connected to either port.

STEP 10

Use the Cable (#9) to connect the leg furthest away to the control Box (#6). The leg closest to the control will connect to it directly. Connect the Power Cord (#8) and the cable coming from the controller to the Control Box (#6).

Use the adhesive-backed Cable Clips (#15) to secure hanging cables.



STEP 11

Turn the assembled desk right-side-up. With two people, grab the desk **BY THE BASE** (not the desktop) and turn the desk right-side-up. Adjust the Leveling Studs (#10) on the Feet (#2) as needed.



IMPORTANT: You must reset the desk prior to use. Make sure no obstacles are in the desk's path and the desk is clear of walls. Verify all cables are the appropriate length to accommodate the max height.

STEP 12 Plug the Power Cord into a 110v outlet.

Reset Procedure: Press and hold DOWN button on Controller (#7) until desk reaches its lowest height. Release DOWN button. Press and hold DOWN button again until LED displays "RST" or about 10 seconds on non-LED models. Release DOWN button. Press and hold DOWN button again until desk slightly lowers, rises and stops. Release DOWN button. Your desk is now ready to use.

TROUBLESHOOTING

If your desk is not functioning properly it may need to be reset. Unplug the power cord for 20 seconds. Plug the power cord back in and follow the RESET procedure outlined in Step 12.

If your desk has a handset with an LED readout and it displays an error code “E01 - E13”, confirm that all wired connections are secure (legs to cables, cables to control box). Then perform the reset procedure outlined in Step 12.

If the error message persists after the reset procedure, contact Evodesk. If the height difference between the legs exceeds 1.5 inches, stop the reset procedure and contact EvoDesk immediately.

If the handset displays “Hot”, allow Evodesk to cool down for 20 minutes.

TECHNICAL SPECIFICATIONS

Height Range	23.5" - 49" (excluding desktop)
Base Width	42.25" min. - 74" max
Travel Speed	1.5" per second (no load)
Weight Capacity	353 lbs.
Duty Cycle	10%. Max. 2 mins on, 18 mins off
	Soft start / stop
	Adjustable Leveling Studs
	4 Memory presets

WARRANTY



PLEASE READ THIS DOCUMENT CAREFULLY. IT CONTAINS VERY IMPORTANT INFORMATION ABOUT YOUR RIGHTS AND OBLIGATIONS, AS WELL AS LIMITATIONS AND EXCLUSIONS THAT MAY APPLY. YOU MUST PRESENT PROOF OF PURCHASE (RECEIPT) TO OBTAIN WARRANTY SERVICE.

This Statement of Warranty Terms and Conditions sets forth the warranties provided by Evodesk (“Manufacturer”) to its customers with respect to the Products purchased. By accepting delivery of the Products, you agree to be bound by and accept these terms and conditions.

The Evodesk Product is warranted by Manufacturer to be free from defects in material and workmanship for five (5) years from the date of purchase.

The Warranty covers parts and labor costs to repair your Product in the event your product fails to properly operate due to defects in materials or workmanship of the frame, electric motors, control box, push-button controller, or desktop. If we determine, at our sole discretion, that your Product cannot be repaired, we will replace it with a Product of like kind and quality that is of comparable performance. Replacement parts or products may be new or rebuilt to meet the specifications of the original product at our discretion. Parts replaced under the terms and conditions of this Warranty and Extended Warranty become the sole property of Manufacturer except where prohibited by law. Our obligations under this Warranty and Extended Warranty will be fulfilled in their entirety if we replace your Product with a new or refurbished Product pursuant to these terms and conditions.

In order to obtain performance of the warranty obligations, the original purchaser must return the Product together with proof of purchase date (receipt) either in person or ship Product to Manufacturer. Customer shall prepay transportation charges to and from Manufacturer facility.

Phone/Web Support

To receive phone assistance, call 1-888-615-5721

Phone assistance for your covered Product includes: Answers to questions regarding Product use, diagnosis of issues and recommendation of repair options, explanation of Warranty or Extended Warranty, coverage and claims.

To receive online assistance visit: www.evodesk.com.

Exclusions to Coverage

The Warranty and Extended Warranty does not cover:

Damage to your Product caused by accident, abuse, neglect, intentional physical damage, misuse (including faulty installation, repair, or maintenance by anyone other than the Manufacturer’s authorized service provider), unauthorized modification, extreme environment (including extreme temperature or humidity), external condensation, mold, immersion/submersion in liquid (e.g. pool, bathtub, etc.), lightning, fire, flood, insect infestation, rodents, war, terrorism, computer software related failures, Acts of God or other external causes.

WARRANTY (cont.)



Exclusions to Coverage (cont.)

Normal wear and tear of the desktop or painted finish

Cosmetic damage to your product including but not limited to scratches, dents and broken plastic on parts that does not otherwise affect its functionality or materially impair your use. Products with a serial number that have been altered, defaced, or removed.

Fees or costs related to third-party contracts, consequential or incidental damages, including but not limited to loss of use, loss of business, loss of profits, loss of data, downtime, charges for time and effort, or “no problem found” diagnoses.

This Warranty or Extended Warranty only covers the electric desk, and shall not include items attached to the covered electric desk, such as components or add-on accessories, even if purchased with the electric desk. Accessories not covered include, but are not limited to, keyboard platforms, cable management trays, speakers, monitor arms, treadmills, casters and CPU mounts.

Disclaimer

EXCEPT AS EXPRESSLY SET FORTH ABOVE, EVODESK MAKES NO REPRESENTATION OR WARRANTY OF ANY KIND, EXPRESS, IMPLIED OR STATUTORY, INCLUDING BUT NOT LIMITED TO WARRANTIES OF MERCHANTABILITY, FITNESS FOR A PARTICULAR PURPOSE, TITLE OR NONINFRINGEMENT, OR WARRANTIES OR OBLIGATIONS ARISING FROM A COURSE OF DEALING, USAGE OR TRADE PRACTICE.

Limitation of Liability

IN NO EVENT WILL EVODESK OR ITS AFFILIATES OR SUPPLIERS BE LIABLE FOR ANY LOSS OF USE, INTERRUPTION OF BUSINESS, LOST PROFITS, OR LOST DATA, OR INDIRECT, SPECIAL, INCIDENTAL OR CONSEQUENTIAL DAMAGES OF ANY KIND REGARDLESS OF THE FORM OF ACTION, WHETHER IN CONTRACT, TORT (INCLUDING NEGLIGENCE), STRICT LIABILITY OR OTHERWISE, EVEN IF EVODESK OR ITS AFFILIATE OR SUPPLIER HAS BEEN ADVISED OF THE POSSIBILITY OF SUCH DAMAGE, AND WHETHER OR NOT ANY REMEDY PROVIDED SHOULD FAIL OF ITS ESSENTIAL PURPOSE. THE TOTAL CUMULATIVE LIABILITY TO CUSTOMER, FROM ALL CAUSES OF ACTION AND ALL THEORIES OF LIABILITY, WILL BE LIMITED TO AND WILL NOT EXCEED THE PURCHASE PRICE OF THE PRODUCT PAID BY CUSTOMER.

Without limiting the generality of the preceding sentence, Evodesk shall not be liable for personal injury or property damage.

Assignment of Rights

The warranties contained herein extend only to the original purchaser of the Products and no attempt to extend the warranties to any subsequent transferee of the Products shall be valid or enforceable without the express written consent of Evodesk.

Governing Law

Interpretation and enforcement of these terms and conditions shall be governed by the laws of the State of Texas.

UPGRADING YOUR EVODESK



Your lifestyle and career evolves. We made Evodesk to evolve with you. This means Evodesk may be the last desk you'll ever need to buy. The Evolution frame system moves between 48", 60" and 72" or larger without having to buy a new desk. Simply expand the frame and swap tops. You can also add any option not chosen with your original purchase, including our most popular accessories, the Evodesk Keyboard Platform, Programmable Controller, Casters and more.

See all the ways you can upgrade your Evodesk to create the perfect standing desk workstation at [**Evodesk.com/store/upgrade**](https://www.evodesk.com/store/upgrade)

EVODESK SOCIAL



Join the Evodesk community on your favorite social networks Facebook and Twitter to share your custom Evodesk and stay up-to-date on the latest Evodesk products and promotions!

[**facebook.com/evodesk**](https://www.facebook.com/evodesk)

[**twitter.com/evodesk**](https://www.twitter.com/evodesk)

WE VALUE YOUR FEEDBACK



Welcome to the Evodesk family! Reviews from the Evodesk community are extremely valuable to others when they are searching for a new desk. Please share your thoughts with others by submitting a written or video review. Thank you for taking a moment to tell us about your experience.

[**Evodesk.com/submit/review**](https://www.evodesk.com/submit/review)

evodesk™

2251 Picadilly Drive
Suite. C-341
Austin, TX 78660
(888) 615-5721

evodesk.com

For technical support visit **evodesk.com/support**