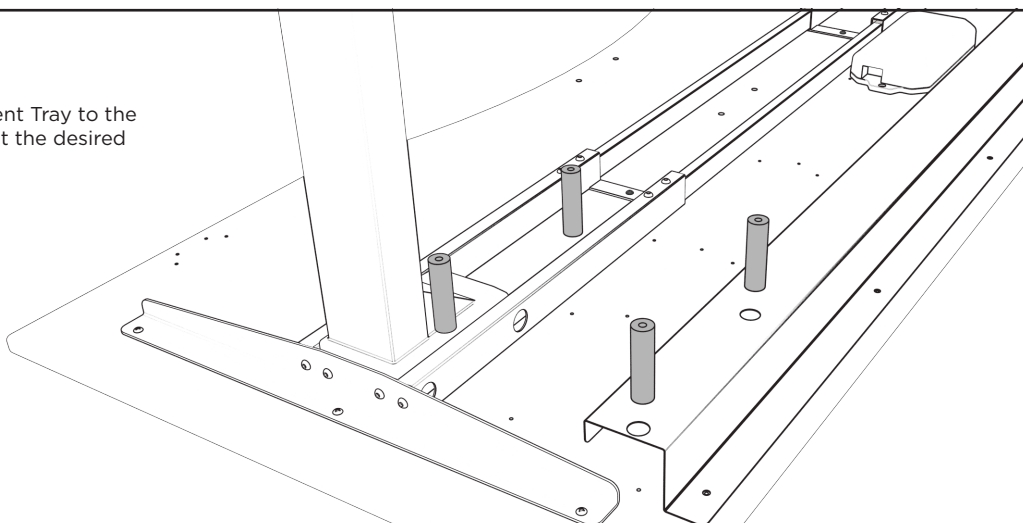


harman/kardon®

Cable Management Compatible Assembly

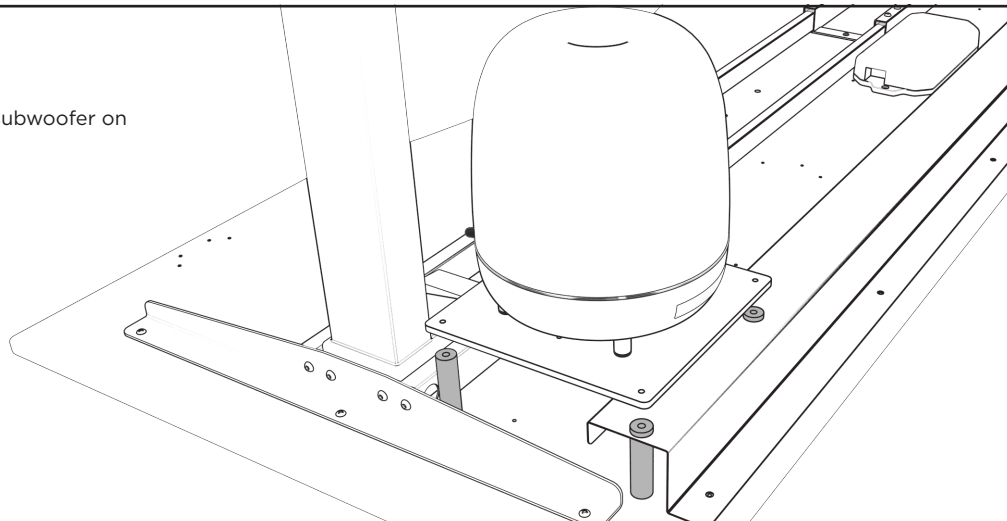
STEP 1:

After mounting the Cable Management Tray to the desktop, place the Mounting risers at the desired mounting location.



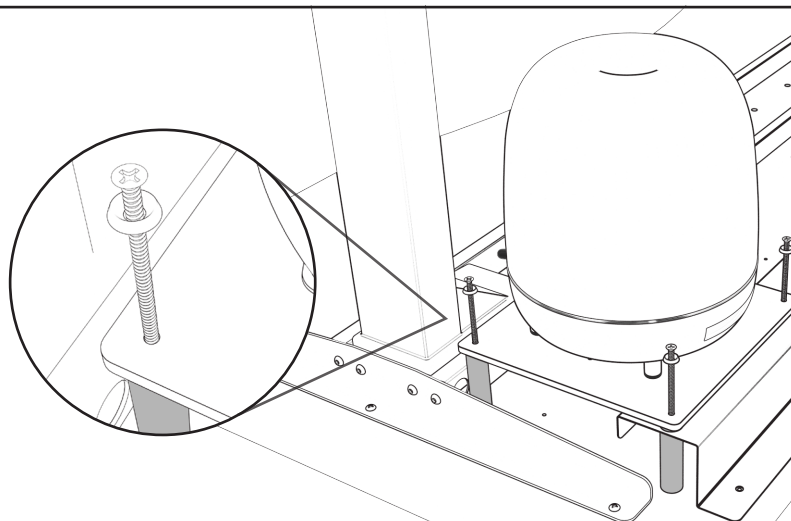
STEP 2:

Align the assembled Harman Kardon subwoofer on the Mounting risers.



STEP 3:

Secure the Harman Kardon subwoofer to the desktop using the included (4) No.8 - 3/8 inch Woodscrew with (4) Countersink Washers.



! IMPORTANT: Do not overtighten woodscrews - Overtightening could lead to desktop damage.