

evodesk™

POWER ADJUSTABLE DESK



ASSEMBLY & OPERATION MANUAL

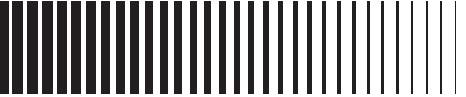
PREFACE

Thank you for choosing Evodesk!

We appreciate the trust and confidence you have placed in our company. We are committed to providing you the best possible value in power adjustable desks. We are sure that your Evodesk will provide you many years of enjoyment and health.

-Evodesk Team

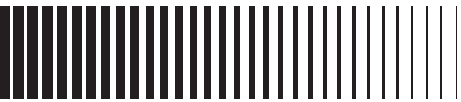
TABLE OF CONTENTS



Caution, Use & Liability.....	Page 1
Parts & Components.....	Page 2
Components Diagram	Page 3
Assembly Instructions	Page 4
Troubleshooting	Page 15
Technical Specifications.....	Page 15
Warranty.....	Page 16



CAUTION



Make sure no obstacles are in the desk's path. Make sure the desktop is not touching any walls. Make sure all cords are appropriate length to accommodate the change in height.



WARNING! PINCH POINT

Keep hands and fingers clear



Keep children away from electric height-adjustable desks, control units and handsets. There is a risk of injury and electric shock.



Keep all electrical components away from liquids.



Do not sit or stand on the desk frame.
Do not crawl or lie under the desk frame.



Do not place any objects taller than 20" underneath the desk.



Do not open any of the components - the Legs, Control Box, or Controller. There is a risk of electric shock.

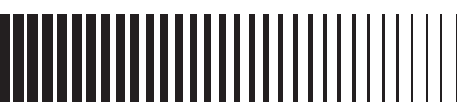


The product is designed with a duty cycle of 10%
(2 min. on, 18 min. off).



In the event of a power outage or if the power cord is unplugged, a manual reset may be necessary - see step 21.

USE & LIABILITY



This height adjustable desk has electric motors and is designed for use in dry work areas only. The desk height is adjustable so that it can be positioned at the most ergonomically suitable height. Any other use is at user's risk. Under no circumstances does the manufacturer accept warranty claims or liability claims for damages caused from improper use or handling of the desk frame.


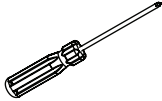
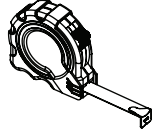
IMPORTANT:

Please read this manual carefully.

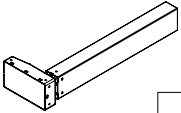
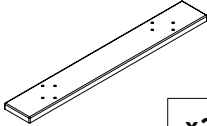
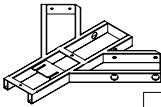
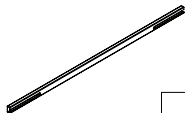
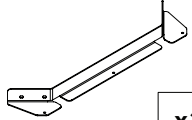
If this desk is sold, please provide this manual to the buyer.


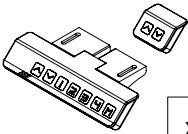
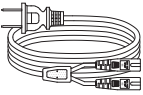
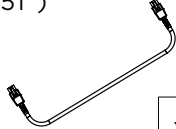

PARTS & COMPONENTS

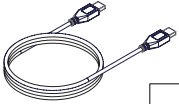
TOOLS REQUIRED

4mm Allen Wrench (included)  x1	Phillips Head Screwdriver  x1	Tape Measure  x1
--	--	---

COMPONENTS INCLUDED

Columns  x4	Feet  x2	Upper Frame  x2	Center Rails  x2	Upper Brackets  x2
--	---	--	--	---

Control Box  x2	Controller(s)  x1	Power Cord  x1	Lift Cables (51")  x2	Leveling Studs  x4
---	---	--	--	--

Link Cable  x1

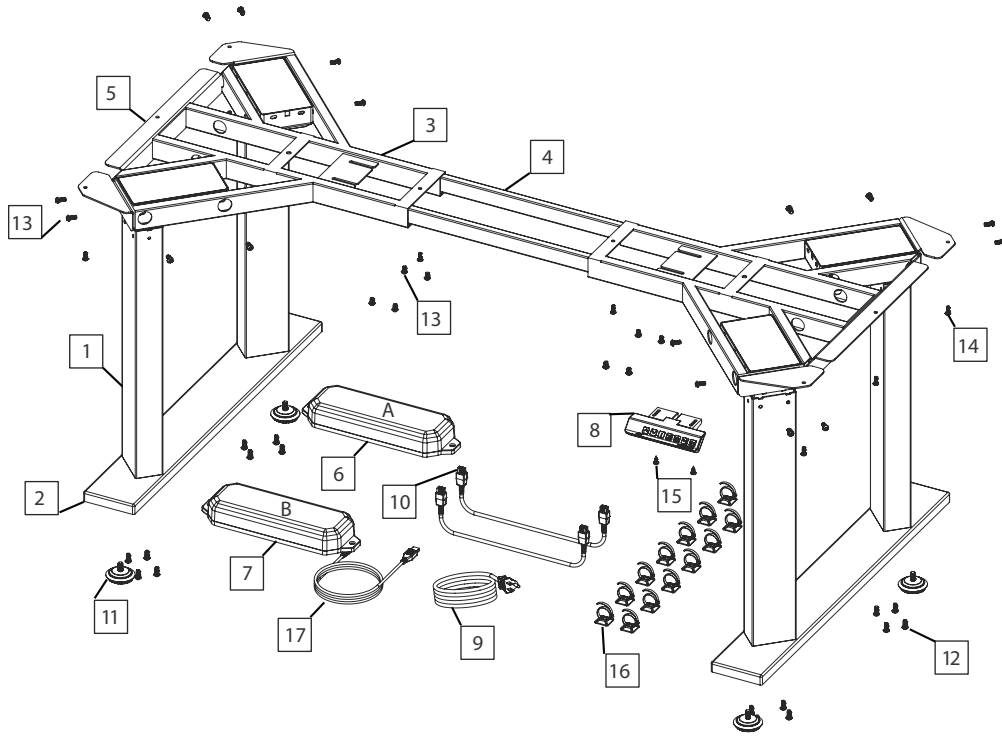
HARDWARE INCLUDED

Machine Screws M6x14  x16	Machine Screws M6x10  x32	Wood Screws ST M5x16  x2	Cable Clips  x15
---	---	--	---

HARDWARE INCLUDED WITH DESKTOP

Phillips Screws 10-24 x 1/2"  x8
--

COMPONENTS DIAGRAM



No.	Description	Qty
1	Columns	2
2	Feet	2
3	Upper Frame	2
4	Center Rails	2
5	Upper Brackets	2
6	Control Box A	1
7	Control Box B	1
8	Controller	1
9	Power Cord	1
10	Lift Cables	2
11	Leveling Studs (pre-installed)	4
12	Machine Screws: M6x14	16
13	Machine Screws: M6x10	32
14	Phillips Screws: 10-24 x 1/2" (Shipped separately in box with Evodesk desktop if purchased)	8
15	Wood Screws: ST M5x16	2
16	Cable Clips	10
17	Link Cable	1

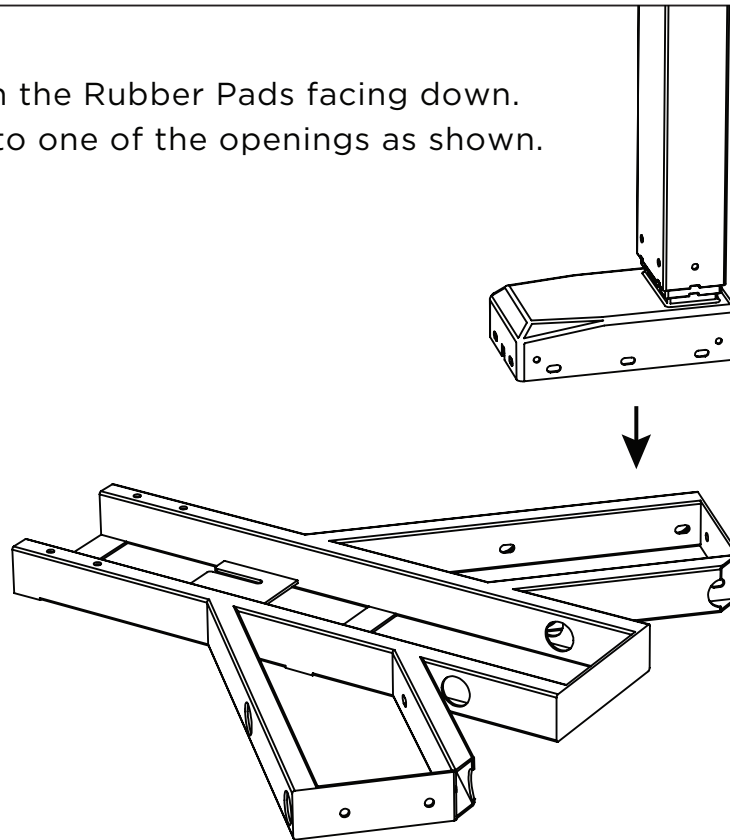
ASSEMBLY INSTRUCTIONS



i **BEFORE YOU BEGIN** Lay out all components and hardware to ensure that you have all the parts listed on the parts page.

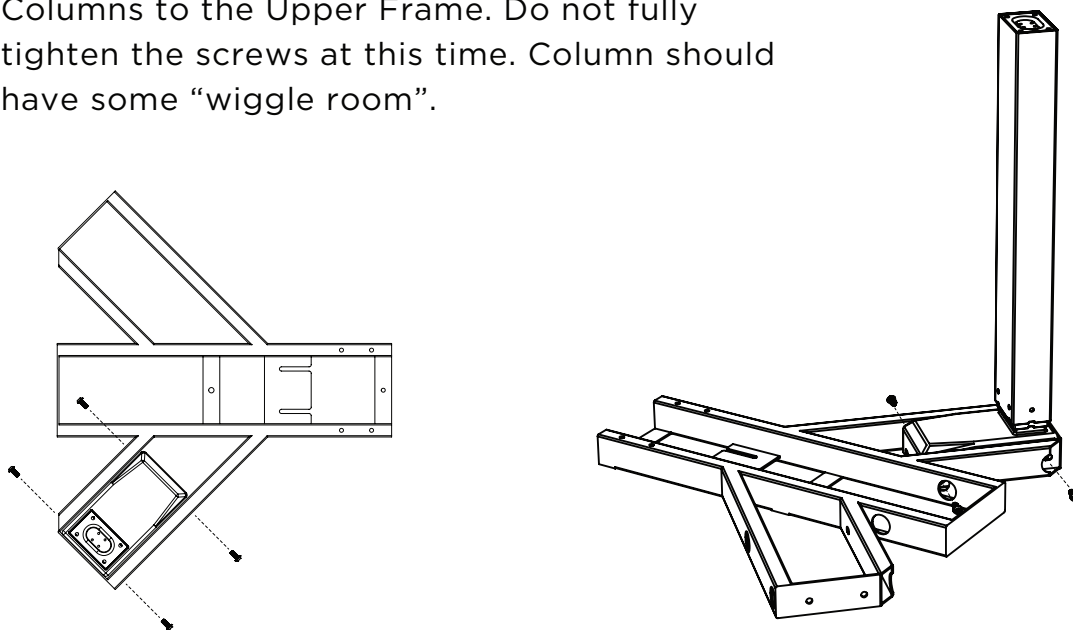
STEP 1

Lay the frame with the Rubber Pads facing down. Insert a column into one of the openings as shown.



STEP 2

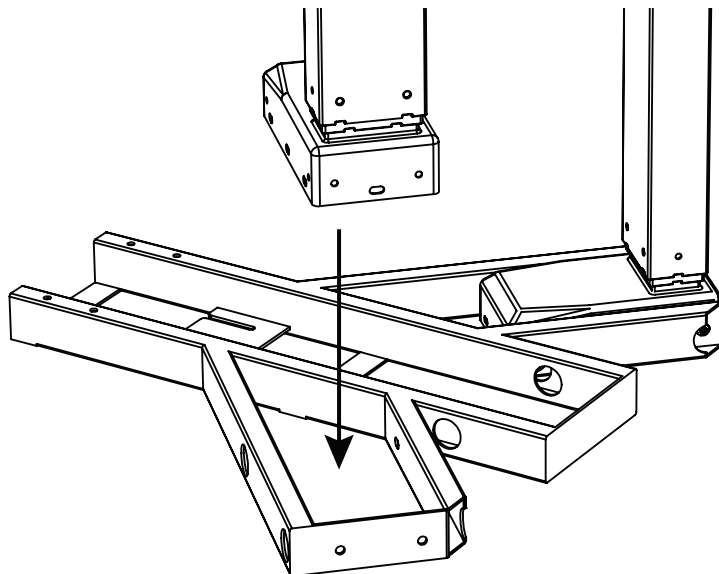
Use four of the M6-10mm screws to secure the Columns to the Upper Frame. Do not fully tighten the screws at this time. Column should have some “wobble room”.





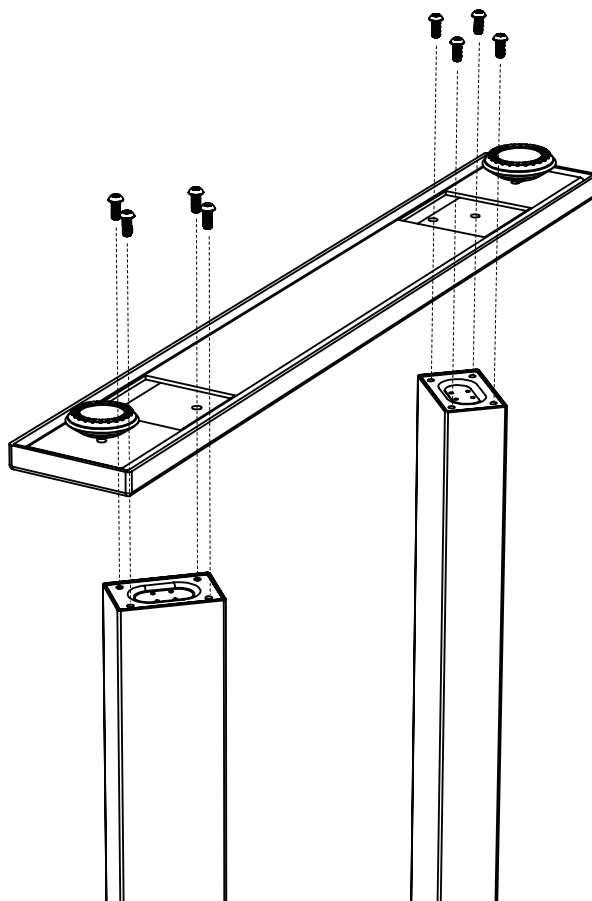
STEP 3

Repeat for the other opening on the Upper Frame.



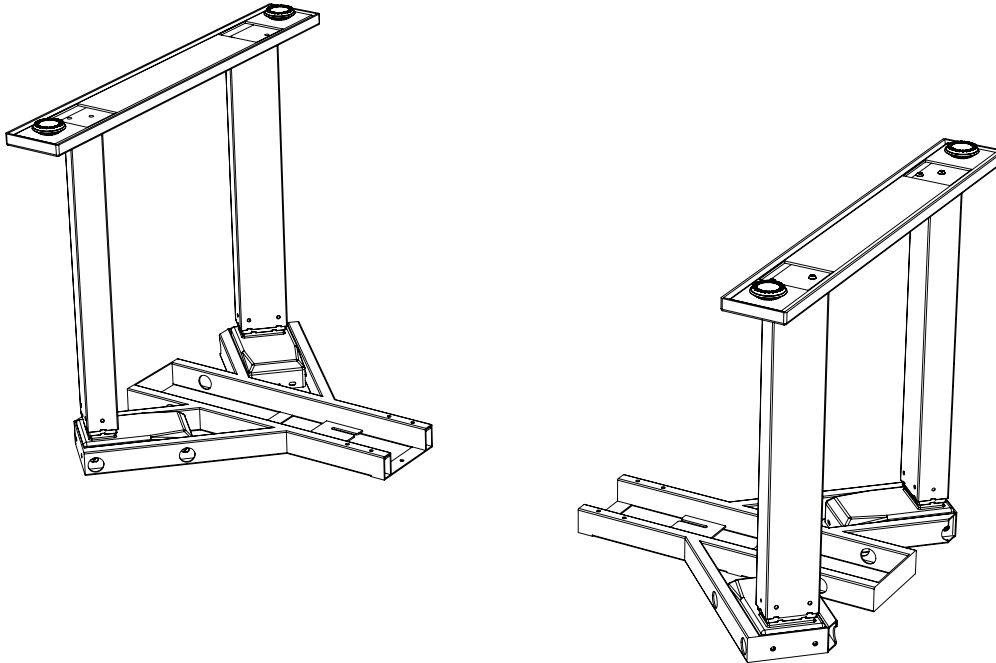
STEP 4

Attach one of the feet to the ends of the Columns using eight of the M6-14mm screws.



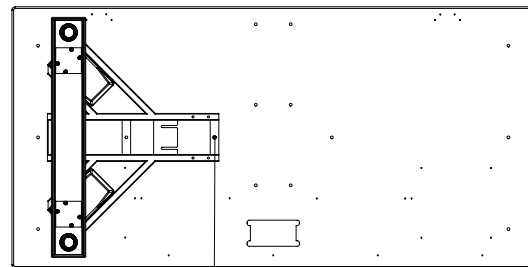
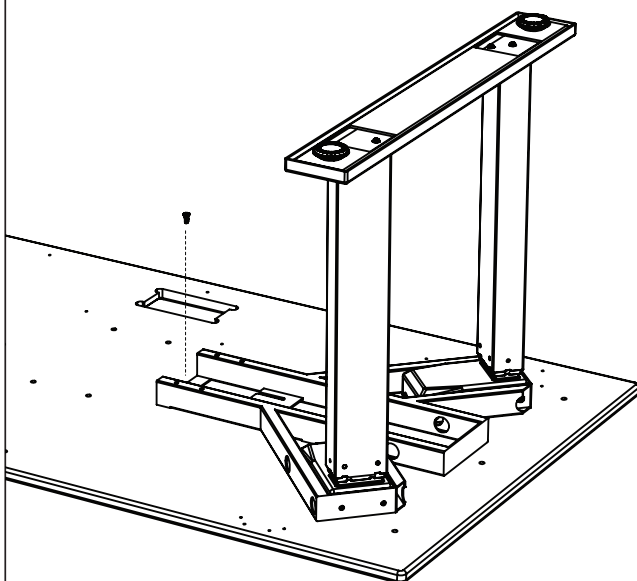
STEP 5

Repeat Steps 1 through 6 to complete the second column group.



STEP 6

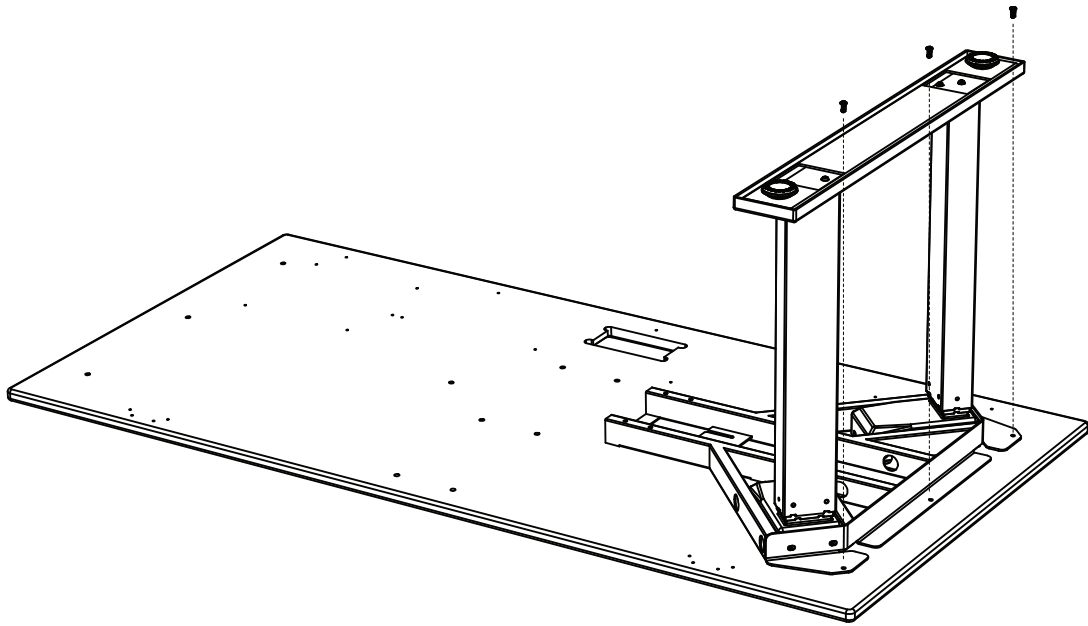
Align the hole furthest from the columns with the steel insert on the desktop. Attach with one of the 10-24 screws included with the desktop. Do not tighten these yet. Screw should only be in 75% of the way in at this time.



*Align with desk insert

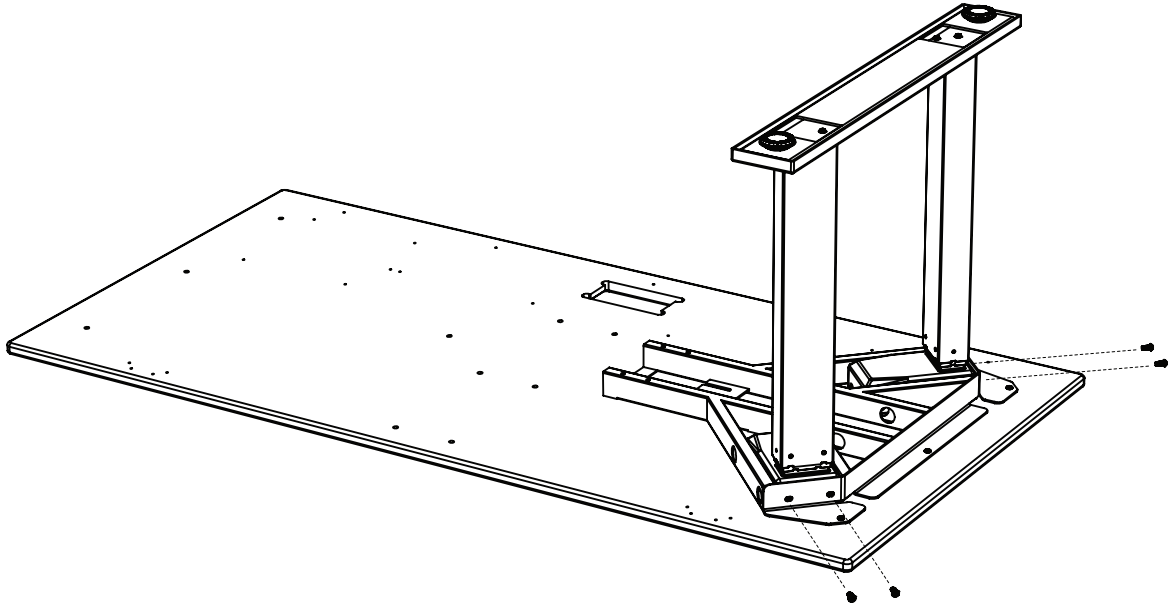
STEP 7

Align the Upper Bracket with the Upper Frame as shown. Use three 10-24 screws included with the desktop. These should also only be screwed in 75% of the way.



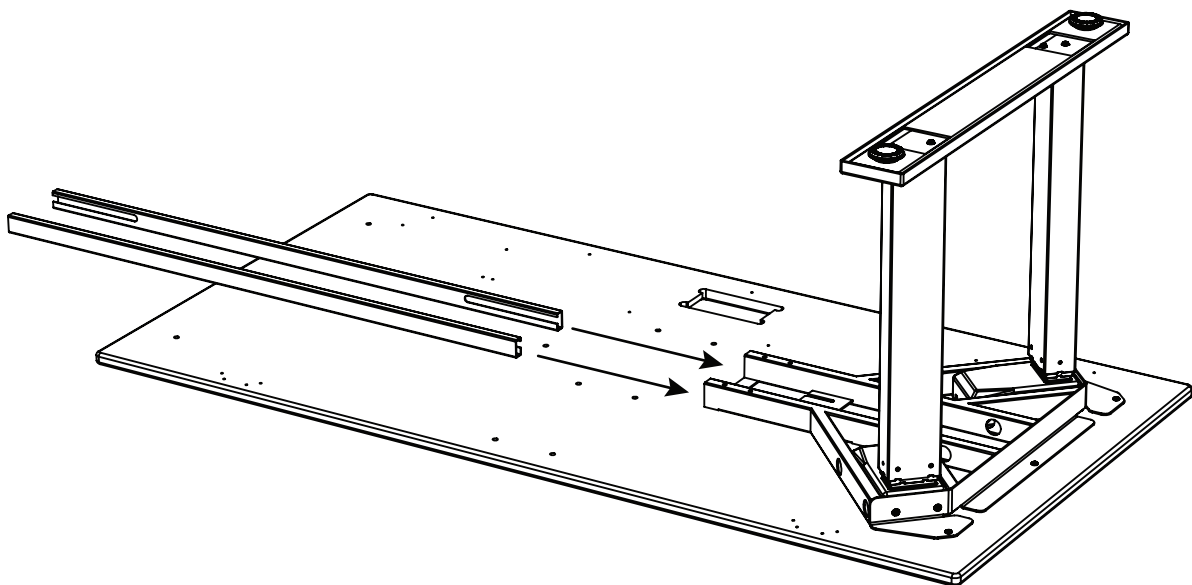
STEP 8

Secure the Upper Bracket to the Upper Frame using four of the M6-10 screws. Firmly tighten after all four have been started.



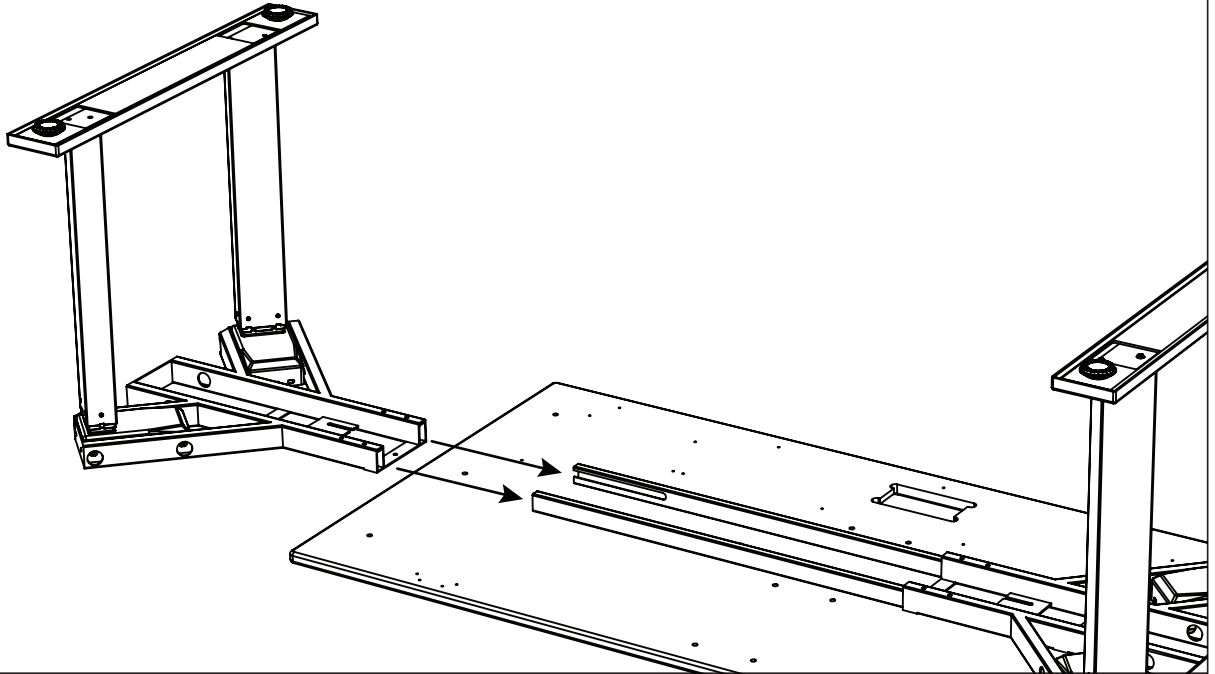
STEP 9

Slide in both Center Rails into the openings of the Upper Frame as shown.



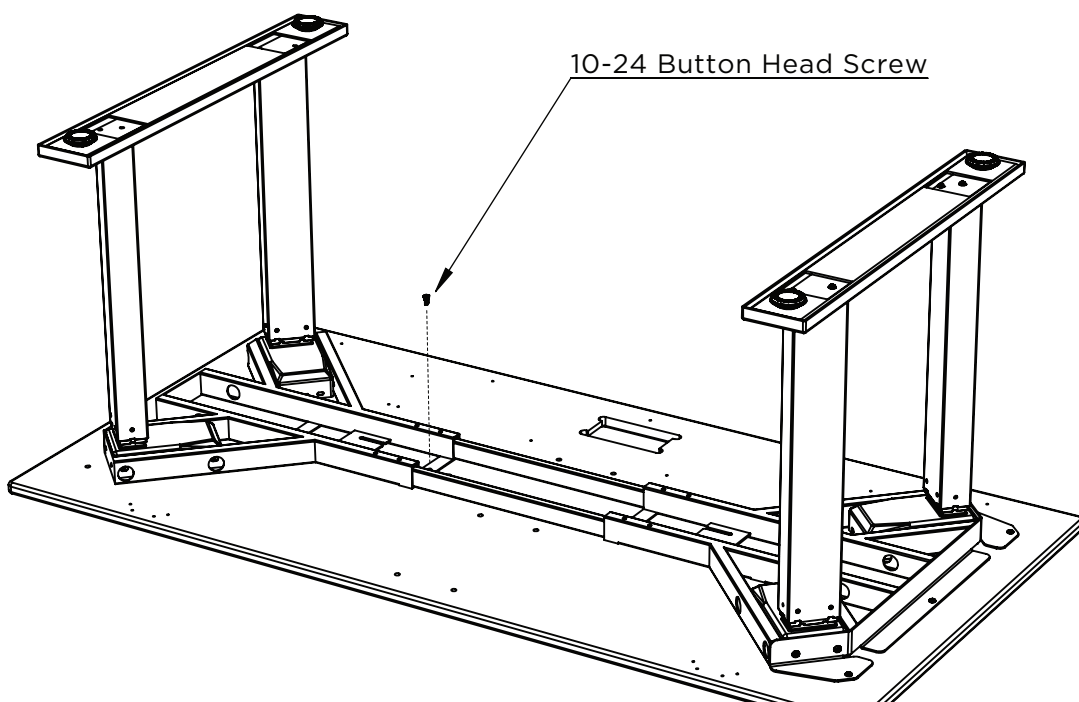
STEP 10

Slide the second column group over the exposed ends of the Center Rails.



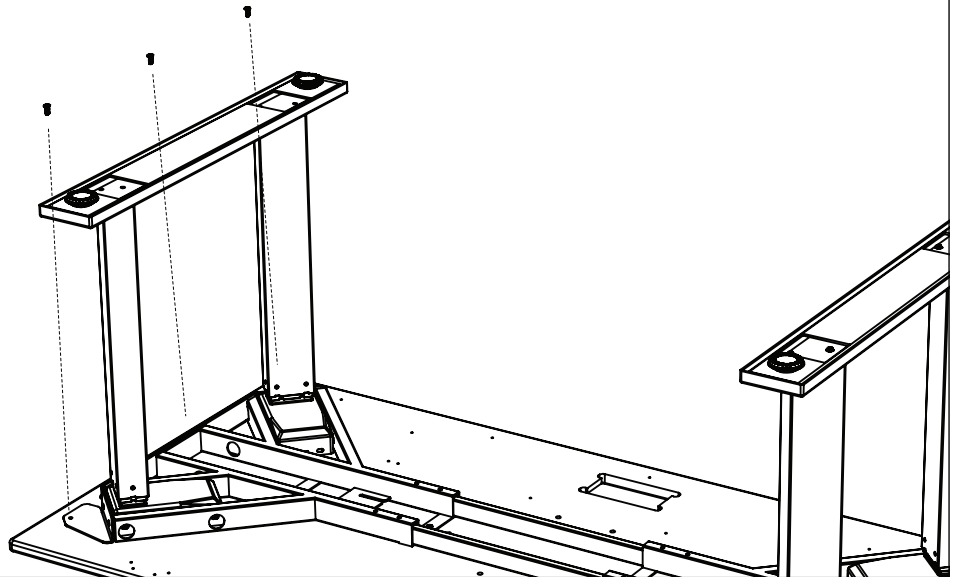
STEP 11

Adjust the second column group position to align the outermost frame hole with matching insert on the desktop. Attach with one of the 10-24 screws again being only about 75% inserted.



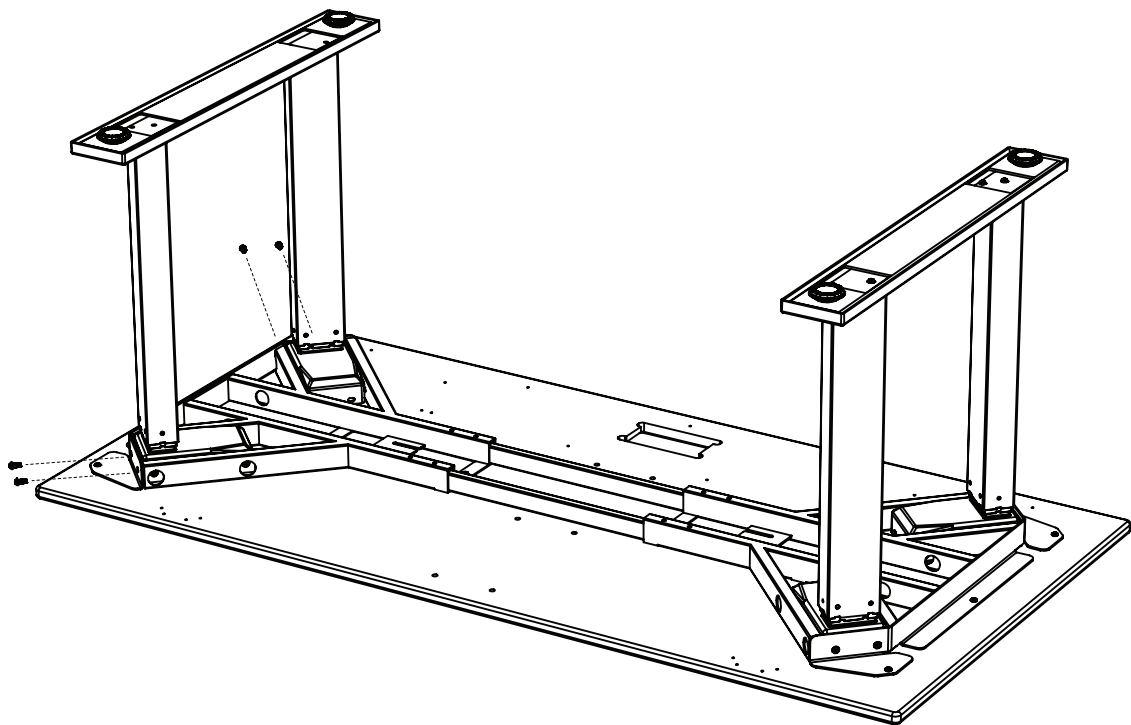
STEP 12

Align the second Upper Bracket with the second Upper Frame as shown. Use the remaining three 10-24 screws included with the desktop.



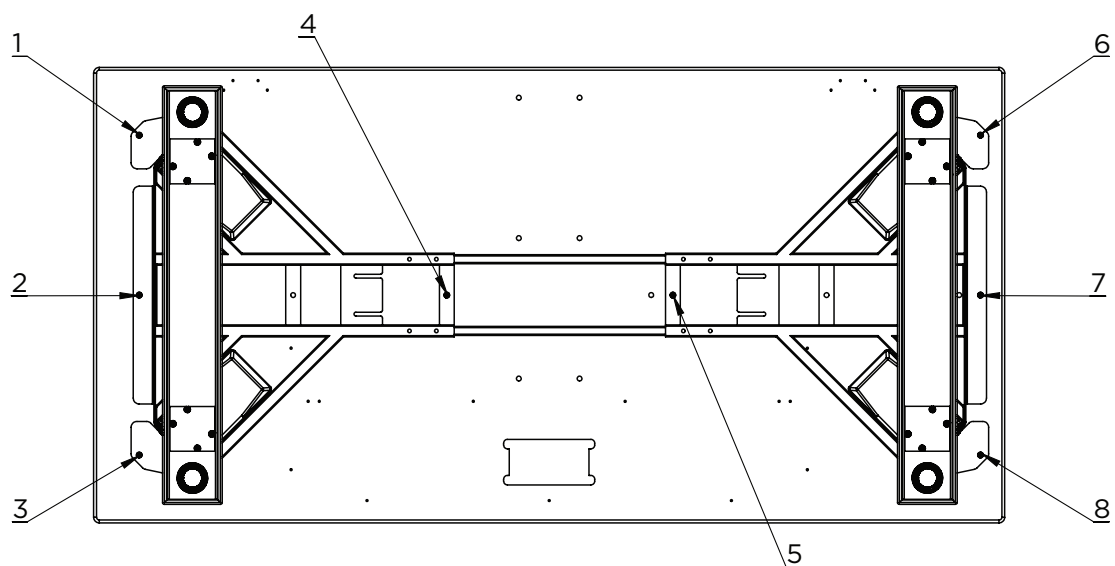
STEP 13

Secure the Upper Bracket to the Upper Frame using four of the M6-10 screws. Firmly tighten after all four have been started.



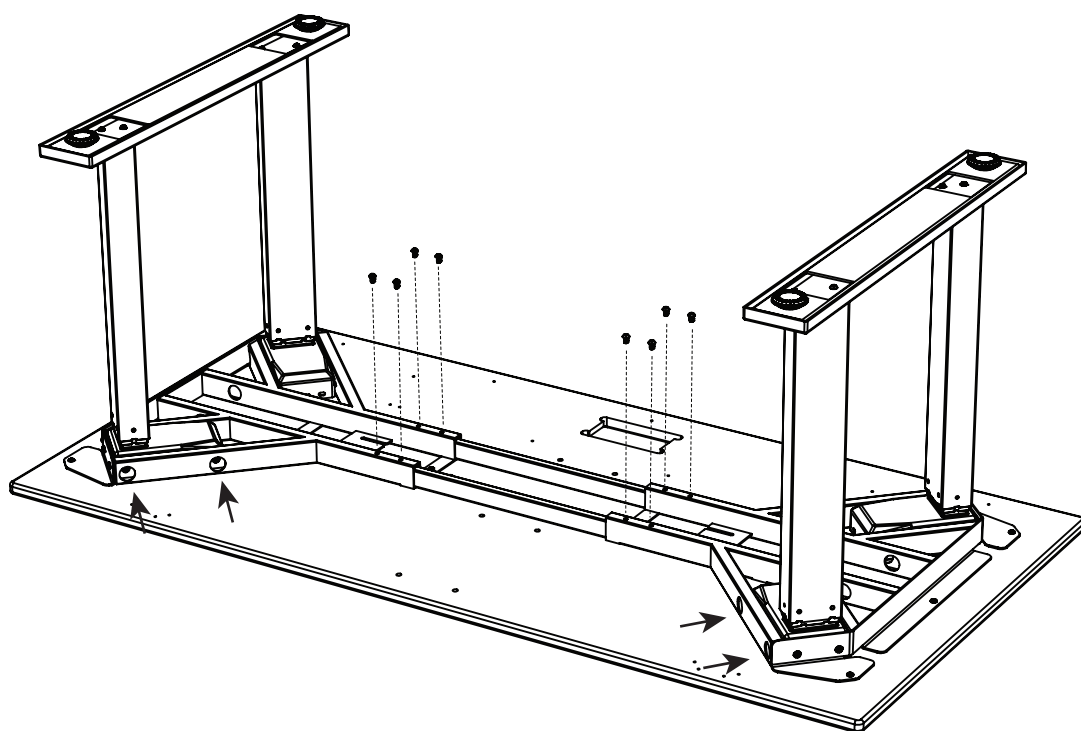
STEP 14

Now all the 10-24 screws can be firmed tightened.



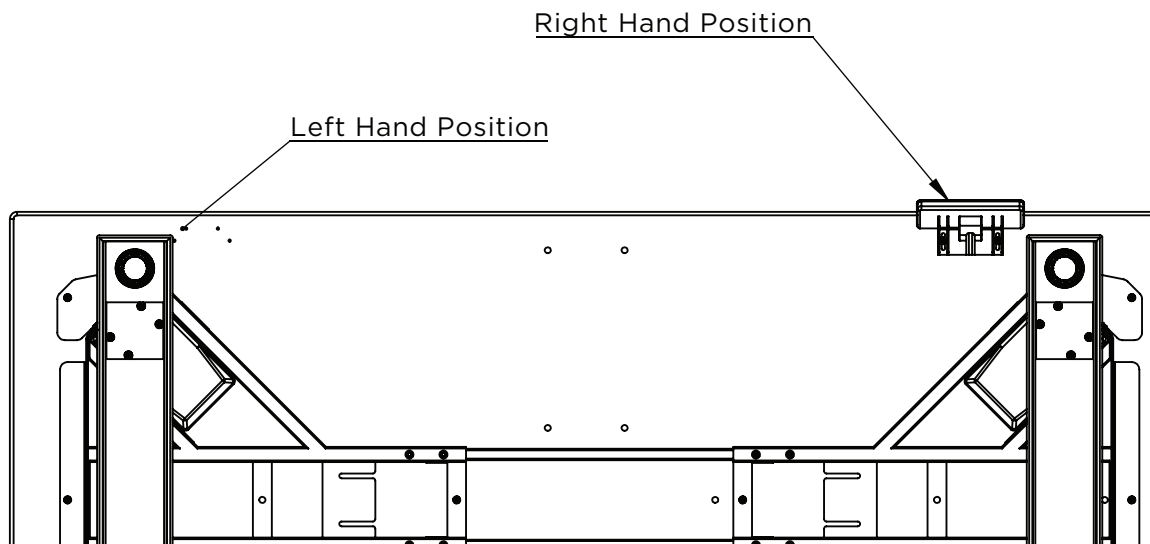
STEP 15

Use the eight M6-10mm screws in the locations shown to lock the Center Rails. These screws should be firmly tightened. Tightening can also be applied to the looser screws from Step 2. (3 screws from each column should be accessible.)



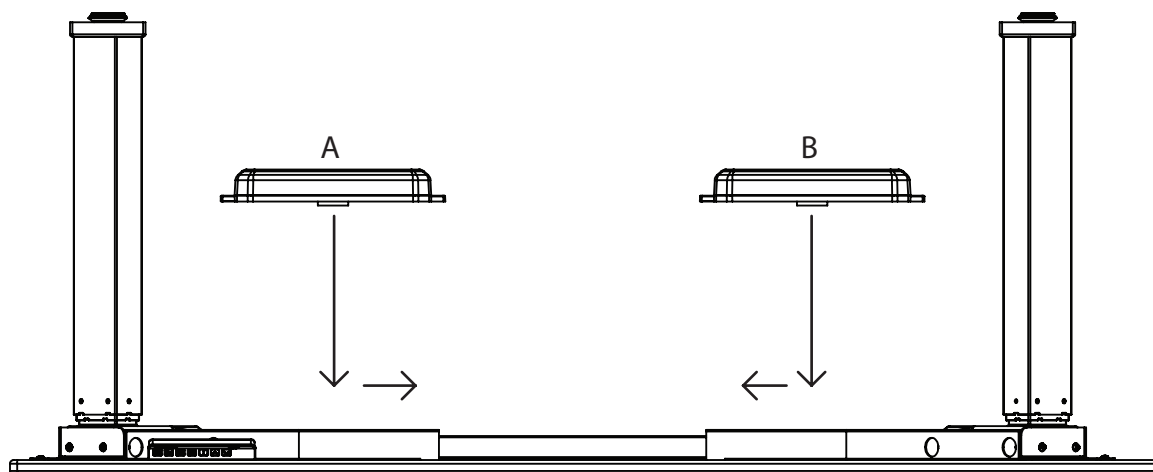
STEP 16

Use the two wood screws to attach the Control Panel in either the right or left hand position. Do not over-tighten these screws, only firm enough to prevent the panel from moving.



STEP 17

The Control Box attached by placing it between the frame and sliding it over the open slots on the frame's control box mount. Do this for both boxes on either side.

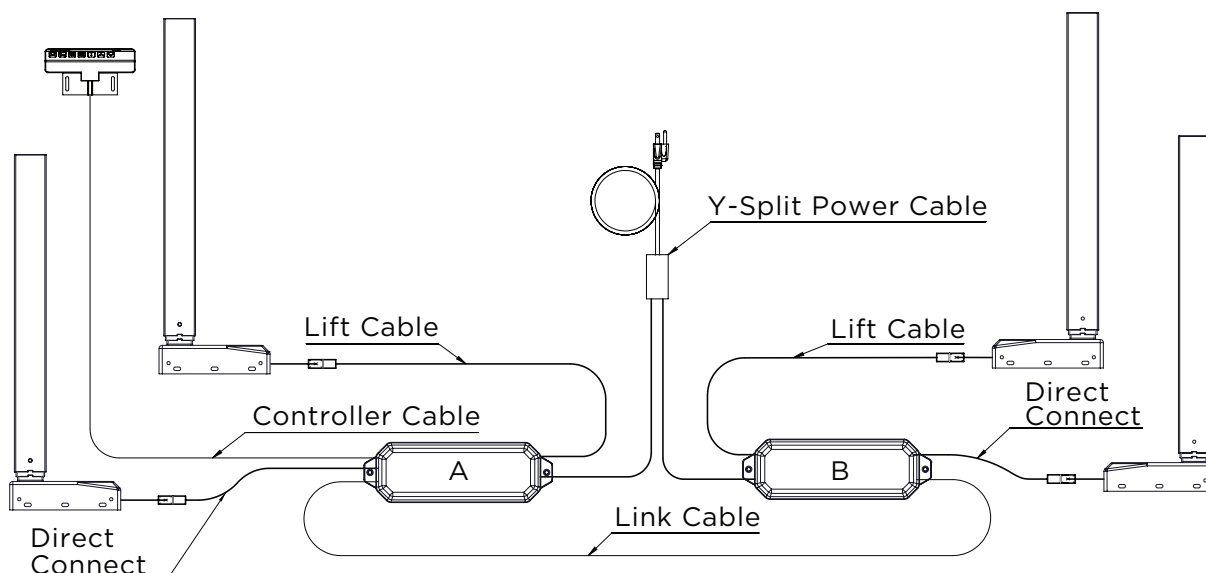


NOTE

Control Box A should be placed on the same side as the handset.

STEP 18

Connect the Columns to the Control Box nearest to them. Use the Link cable to connect to connect the two Control Boxes. The Power Cable should have two connectors that should each connect to a Control Box. **The Controller must be connected to box "A".**



Note: Only two lift cables are needed. Two of the column cables should reach the control boxes without extra cables.

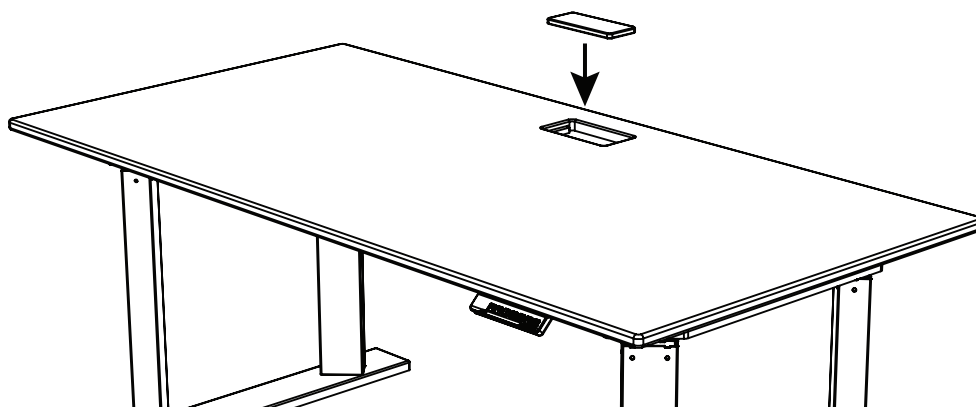
STEP 19

Use the adhesive-backed clips to secure loose cables and keep the underside organized and prevent hanging cables.



STEP 20

With two people, firmly grab the desk and slowly turn it right-side-up.



STEP 21

Plug the Power Cord into a 110v outlet.

Reset Procedure: Press and hold DOWN button on Controller (#7) until desk reaches its lowest height. Release DOWN button. Press and hold DOWN button again until LED displays “RST” or about 10 seconds on non-LED models. Release DOWN button. Press and hold DOWN button again until desk slightly lowers, rises and stops. Release DOWN button.

Your desk is now ready to use.

TROUBLESHOOTING

If your desk is not functioning properly it may need to be reset. Unplug the power cord for 20 seconds. Plug the power cord back in and follow the RESET procedure outlined in Step 21.

If your desk has a handset with an LED readout and it displays an error code “E01 - E13”, confirm that all wired connections are secure (legs to cables, cables to control box). Then perform the reset procedure outlined in Step 21.

If the error message persists after the reset procedure, contact EvoDesk. If the height difference between the legs exceeds 1.5 inches, stop the reset procedure and contact EvoDesk immediately.

If the handset displays “Hot”, allow EvoDesk to cool down for 20 minutes.

TECHNICAL SPECIFICATIONS

Height Range	23.5” - 49” (excluding desktop)
Base Width	42.25” min. - 74” max
Travel Speed	1.5” per second (no load)
Weight Capacity	560 lbs.
Duty Cycle	10%. Max. 2 mins on, 18 mins off
	Soft start / stop
	Adjustable Leveling Studs
	4 Memory presets



PLEASE READ THIS DOCUMENT CAREFULLY. IT CONTAINS VERY IMPORTANT INFORMATION ABOUT YOUR RIGHTS AND OBLIGATIONS, AS WELL AS LIMITATIONS AND EXCLUSIONS THAT MAY APPLY. YOU MUST PRESENT PROOF OF PURCHASE (RECEIPT) TO OBTAIN WARRANTY SERVICE.

This Statement of Warranty Terms and Conditions sets forth the warranties provided by Evodesk (“Manufacturer”) to its customers with respect to the Products purchased. By accepting delivery of the Products, you agree to be bound by and accept these terms and conditions.

The Evodesk Product is warranted by Manufacturer to be free from defects in material and workmanship for five (5) years from the date of purchase.

The Warranty covers parts and labor costs to repair your Product in the event your product fails to properly operate due to defects in materials or workmanship of the frame, electric motors, control box, push-button controller, or desktop. If we determine, at our sole discretion, that your Product cannot be repaired, we will replace it with a Product of like kind and quality that is of comparable performance. Replacement parts or products may be new or rebuilt to meet the specifications of the original product at our discretion. Parts replaced under the terms and conditions of this Warranty and Extended Warranty become the sole property of Manufacturer except where prohibited by law. Our obligations under this Warranty and Extended Warranty will be fulfilled in their entirety if we replace your Product with a new or refurbished Product pursuant to these terms and conditions.

In order to obtain performance of the warranty obligations, the original purchaser must return the Product together with proof of purchase date (receipt) either in person or ship Product to Manufacturer. Customer shall prepay transportation charges to and from Manufacturer facility.

Phone/Web Support

To receive phone assistance, call 1-888-615-5721

Phone assistance for your covered Product includes: Answers to questions regarding Product use, diagnosis of issues and recommendation of repair options, explanation of Warranty or Extended Warranty, coverage and claims.

To receive online assistance visit: www.evodesk.com.

Exclusions to Coverage

The Warranty and Extended Warranty does not cover:

Damage to your Product caused by accident, abuse, neglect, intentional physical damage, misuse (including faulty installation, repair, or maintenance by anyone other than the Manufacturer’s authorized service provider), unauthorized modification, extreme environment (including extreme temperature or humidity), external condensation, mold, immersion/submersion in liquid (e.g. pool, bathtub, etc.), lightning, fire, flood, insect infestation, rodents, war, terrorism, computer software related failures, Acts of God or other external causes.

**Exclusions to Coverage (cont.)**

Normal wear and tear of the desktop or painted finish

Cosmetic damage to your product including but not limited to scratches, dents and broken plastic on parts that does not otherwise affect its functionality or materially impair your use. Products with a serial number that have been altered, defaced, or removed.

Fees or costs related to third-party contracts, consequential or incidental damages, including but not limited to loss of use, loss of business, loss of profits, loss of data, downtime, charges for time and effort, or “no problem found” diagnoses.

This Warranty or Extended Warranty only covers the electric desk, and shall not include items attached to the covered electric desk, such as components or add-on accessories, even if purchased with the electric desk. Accessories not covered include, but are not limited to, keyboard platforms, cable management trays, speakers, monitor arms, treadmills, casters and CPU mounts.

Disclaimer

EXCEPT AS EXPRESSLY SET FORTH ABOVE, EVODESK MAKES NO REPRESENTATION OR WARRANTY OF ANY KIND, EXPRESS, IMPLIED OR STATUTORY, INCLUDING BUT NOT LIMITED TO WARRANTIES OF MERCHANTABILITY, FITNESS FOR A PARTICULAR PURPOSE, TITLE OR NONINFRINGEMENT, OR WARRANTIES OR OBLIGATIONS ARISING FROM A COURSE OF DEALING, USAGE OR TRADE PRACTICE.

Limitation of Liability

IN NO EVENT WILL EVODESK OR ITS AFFILIATES OR SUPPLIERS BE LIABLE FOR ANY LOSS OF USE, INTERRUPTION OF BUSINESS, LOST PROFITS, OR LOST DATA, OR INDIRECT, SPECIAL, INCIDENTAL OR CONSEQUENTIAL DAMAGES OF ANY KIND REGARDLESS OF THE FORM OF ACTION, WHETHER IN CONTRACT, TORT (INCLUDING NEGLIGENCE), STRICT LIABILITY OR OTHERWISE, EVEN IF EVODESK OR ITS AFFILIATE OR SUPPLIER HAS BEEN ADVISED OF THE POSSIBILITY OF SUCH DAMAGE, AND WHETHER OR NOT ANY REMEDY PROVIDED SHOULD FAIL OF ITS ESSENTIAL PURPOSE. THE TOTAL CUMULATIVE LIABILITY TO CUSTOMER, FROM ALL CAUSES OF ACTION AND ALL THEORIES OF LIABILITY, WILL BE LIMITED TO AND WILL NOT EXCEED THE PURCHASE PRICE OF THE PRODUCT PAID BY CUSTOMER.

Without limiting the generality of the preceding sentence, Evodesk shall not be liable for personal injury or property damage.

Assignment of Rights

The warranties contained herein extend only to the original purchaser of the Products and no attempt to extend the warranties to any subsequent transferee of the Products shall be valid or enforceable without the express written consent of Evodesk.

Governing Law

Interpretation and enforcement of these terms and conditions shall be governed by the laws of the State of Texas.

UPGRADING YOUR EVODESK

Your lifestyle and career evolves. We made Evodesk to evolve with you. This means Evodesk may be the last desk you'll ever need to buy. The Evolution frame system moves between 48", 60" and 72" or larger without having to buy a new desk. Simply expand the frame and swap tops. You can also add any option not chosen with your original purchase, including our most popular accessories, the Evodesk Keyboard Platform, Programmable Controller, Casters and more.

See all the ways you can upgrade your Evodesk to create the perfect standing desk workstation at [Evodesk.com/store/upgrade](https://www.evodesk.com/store/upgrade)

EVODESK SOCIAL

Join the Evodesk community on your favorite social networks Facebook and Twitter to share your custom Evodesk and stay up-to-date on the latest Evodesk products and promotions!



[facebook.com/evodesk](https://www.facebook.com/evodesk)



[twitter.com/evodesk](https://www.twitter.com/evodesk)

WE VALUE YOUR FEEDBACK

Welcome to the Evodesk family! Reviews from the Evodesk community are extremely valuable to others when they are searching for a new desk. Please share your thoughts with others by submitting a written or video review. Thank you for taking a moment to tell us about your experience.

[Evodesk.com/submit/review](https://www.evodesk.com/submit/review)

evodesk™

2251 Picadilly Drive
Suite. C-341
Austin, TX 78660
(888) 615-5721

evodesk.com

For technical support visit **evodesk.com/support**